



Thermal Imaging Fever Screening Terminal

IRS-AC822-H



Product Features

Accurate Thermal Temperature Measurement

- Thermal imaging and temperature screening with resolution of 256×192
- Skin temperature screening from 0.3m to 2m (measurement deviation within $\pm 0.5^{\circ}\text{C}$)

AI Face Recognition

- Support face recognition with mask, face recognition accuracy > 92%
- Support 1:1/1:N face comparison, face image capacity

High Face Recognition Speed

- 0.2s per face plus forehead temperature measurement

- Support multiple persons temperature screening at the same time

Custom Voice Broadcast

- Support multiple languages and custom voice uploading
- Support normal temperature broadcast and abnormal temperature broadcast

Support Multiple Interfaces and Peripheral

- Support identification of CPU card, IC card and HID card
- Support lock control output and face unlock

Rapid Deployment

- Support cloud deployment and private server deployment
- With encapsulation level IP66

Application Fields

Security Inspection Management

- High-speed rail station, airports, bus station, subway station

Face Access Management

- Schools and enterprise and public institution

Attendance and Sign-in

- Company conference, school training, exhibition and forum

In and Out Management

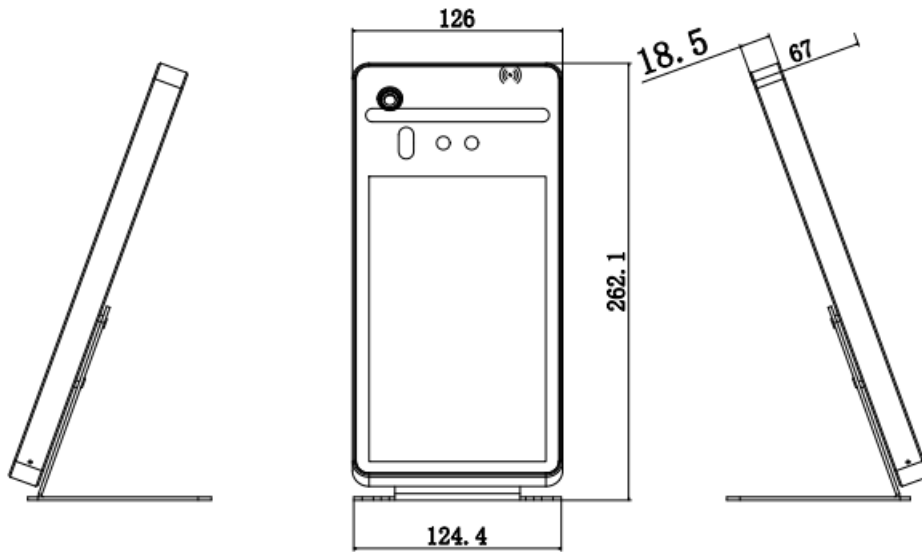
- Communities, office buildings, villas, etc.

Technical Specifications

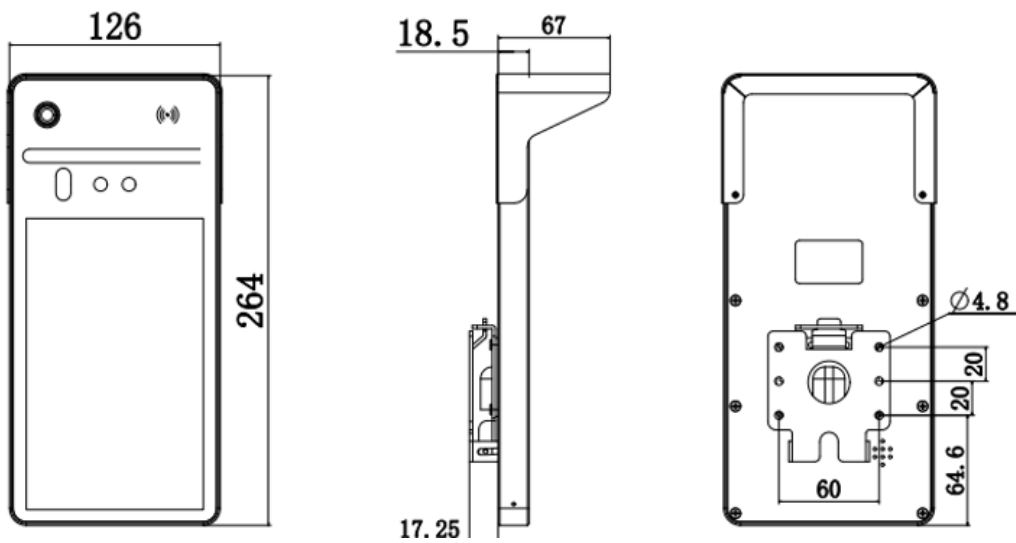
Technical Index		Thermal Imaging Fever Screening Terminal
Thermal	Sensor Type	uncooled IRFPA
	Resolution	256×192
	Temperature Measurement Distance	0.3 ~ 2m
	Temperature Measurement Accuracy	±0.5°C
Visible	Sensor Specification	Dual 2MP, low illumination sensor
	WDR	≥120dB
	FOV	65°×40°
	Focal Length	4.3mm
Function	Face Inspection	AI face inspection trace, more than 30 faces per frame
	Liveness Inspection	Anti-spoofing: pictures, video, face ornaments, 3D model
	Properties	Mask, gender, age, glasses, facial expressions, beard, hat
	Face Database	50,000
	Attendance Record	50,000
	Card Reading	Support CPU card/IC card /HID card
	Unlock Type	Support face, card, QR code, Bluetooth
Interface	Alarm Input	2-channel alarm in, 1 channel alarm out
	RS485	1 channel RS485
	Unlock Button	Yes
	Power	DC 12V
	Network	One self-adaptive RJ45 10M / 100M Ethernet port

	Interface	One Bluetooth
		One 2.4G Wi-Fi module
		One 4G module (optional)
	USB	One USB 2.0
	Wiegand	Double
Device Parameters	Working Temperature	Terminal working temperature: -20 °C ~ + 60 °C; The recommended working temperature for infrared thermography: 20°C ~ 35°C, indoor, windless, no direct sunshine
	Encapsulation	IP66
	Dimensions	126mm×264mm×18.5mm
	Display	8 inch, 1280×800
	Power Consumption	Less than 20W, 12V power supply
	Mounting Type	Wall-mounted, desktop, turnstiles

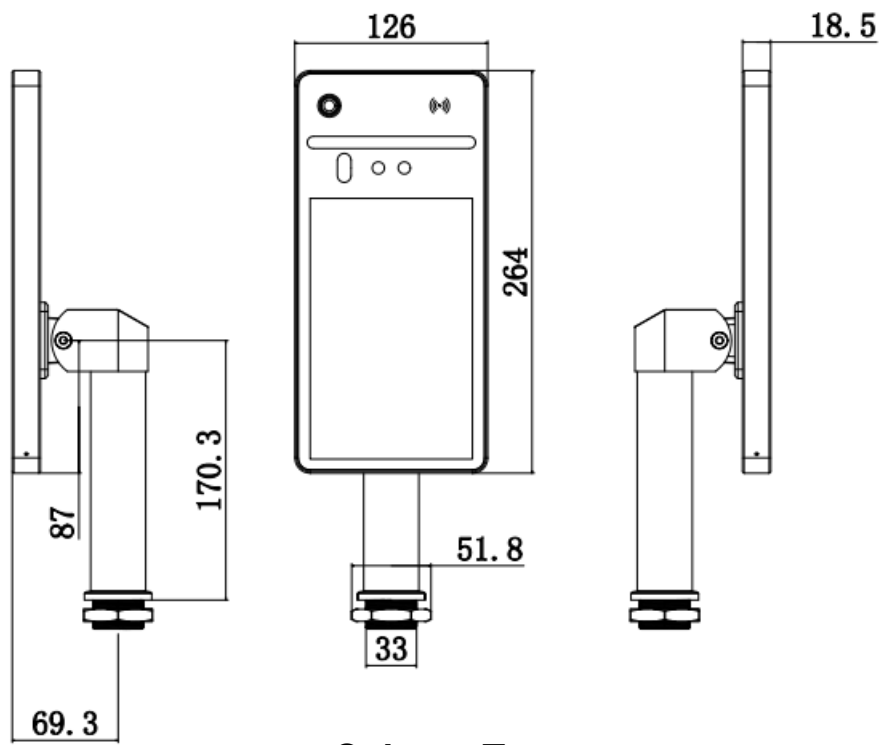
Drawings



Desktop Type



Wall-mounted



Column Type

Accessory List

No.	Accessory Name	Picture
1	The floor stand for column type	
2	The desktop stand for column type	
3	The sunshield	

©2021 IRay Technology Co.,Ltd. All rights reserved.

This datasheet is subject to change without prior notice. Please contact us to get the latest datasheet.